

Your Sentry On The Loading Dock



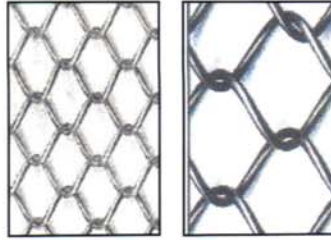
Inside Standoff Wall Brackets allow FlexGuard to be used with existing dock doors.

FlexGuard Chain Mesh Doors — to keep out birds, large bugs and bad guys...

- Alleviate trespassing
- Help prevent theft and pilferage
- Help protect warehouse personnel
- Let in fresh air and outside light

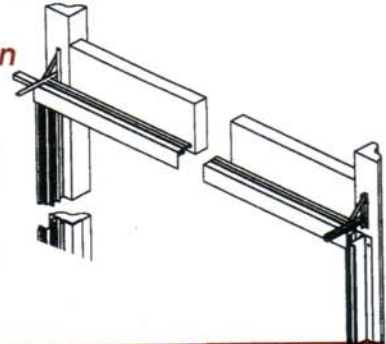
FlexGuard Offers Choices to Fit Your Security Needs

- Durable, low-maintenance components — **aluminum** or **stainless steel** mesh
- Easy to install — our roll-up model **can be** customized for your needs.
- Simplistic design — economical solutions in **various mesh sizes**
- Three mounting styles — **in-jamb, face of wall and inside stand-off** in both models



Standard Stainless Steel or Aluminum Mesh—actual size: 1/4" (left) and 1/2" (right)

FlexGuard uses a proven structural system — the same as our popular FlexScreen bug screen.



FlexGuard Roll-up Models

- Easy up and down — motorized or hoist
- Horizontal Stiffeners for added strength and security
- Intube motor for smaller openings and external motor for larger openings
- Lock-down system and choice of mesh sizes and materials available



Metal sheeting covers the side of the guide tracks to provide a secure seal.



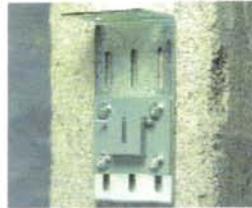
Extruded Aluminum guide track with safety striping



Inside Standoff Wall Bracket



Bottom kick latch

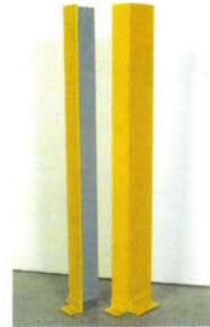


In-Jamb Mount (intube only)

WHICH FLEXBARRIER PRODUCT FITS?	FLEXSCREEN VINYL MESH	FLEXGUARD CHAIN MESH
	Covers the entire opening	Yes
Sealed at sides, top & bottom	Yes	YES!
Discourages trespassing	Yes	YES!
Helps prevent theft and pilferage	Yes	YES!
Can't be cut with knife	No	YES!
Lock-down security	Optional	YES!
Lets in light	Yes	YES!
Lets in fresh air	Yes	YES!
Bug Barrier	All Bugs	Large Bugs
Bird Barrier	Yes	YES!

Accessories

The optional FlexTG (Track Guard) provides tough, attractive protection for vulnerable door tracks. Simple installation - FlexTG anchors directly to the floor through pre-drilled holes with anchors. Made from 1/4" steel plate to withstand maximum impact. FlexTG is available in a 48" height. Order it with your door to protect your track guide



Motorized, Options:

Motorized This model comes with an In-tube motor (ITM) or an External Continuous Duty Motor (ECD) designed for frequent opening and closing. (ITM not recommended for opening more than 8 times per hour.) The door is operated from a rocker switch which is provided. Both motors have up and down limit switches. The ECD model has an emergency chain hoist.



ITM



ECD



FlexEC (Exterior Cover) is an attractive and protective faceplate for exterior use. The ends are sealed to provide an extra level of protection for the door roll. FlexIC and EC are both made of heavy gauge steel.



FlexIC (Interior Cover) is an attractive faceplate as well as a protective valance for the door roll.

For more information, call your dealer or FlexBarrier Products for the dealer nearest you.



1-800-277-3539

P.O. Box 2612 Norcross, GA 30091 FAX 888-884-9667
www.flexbarrier.com