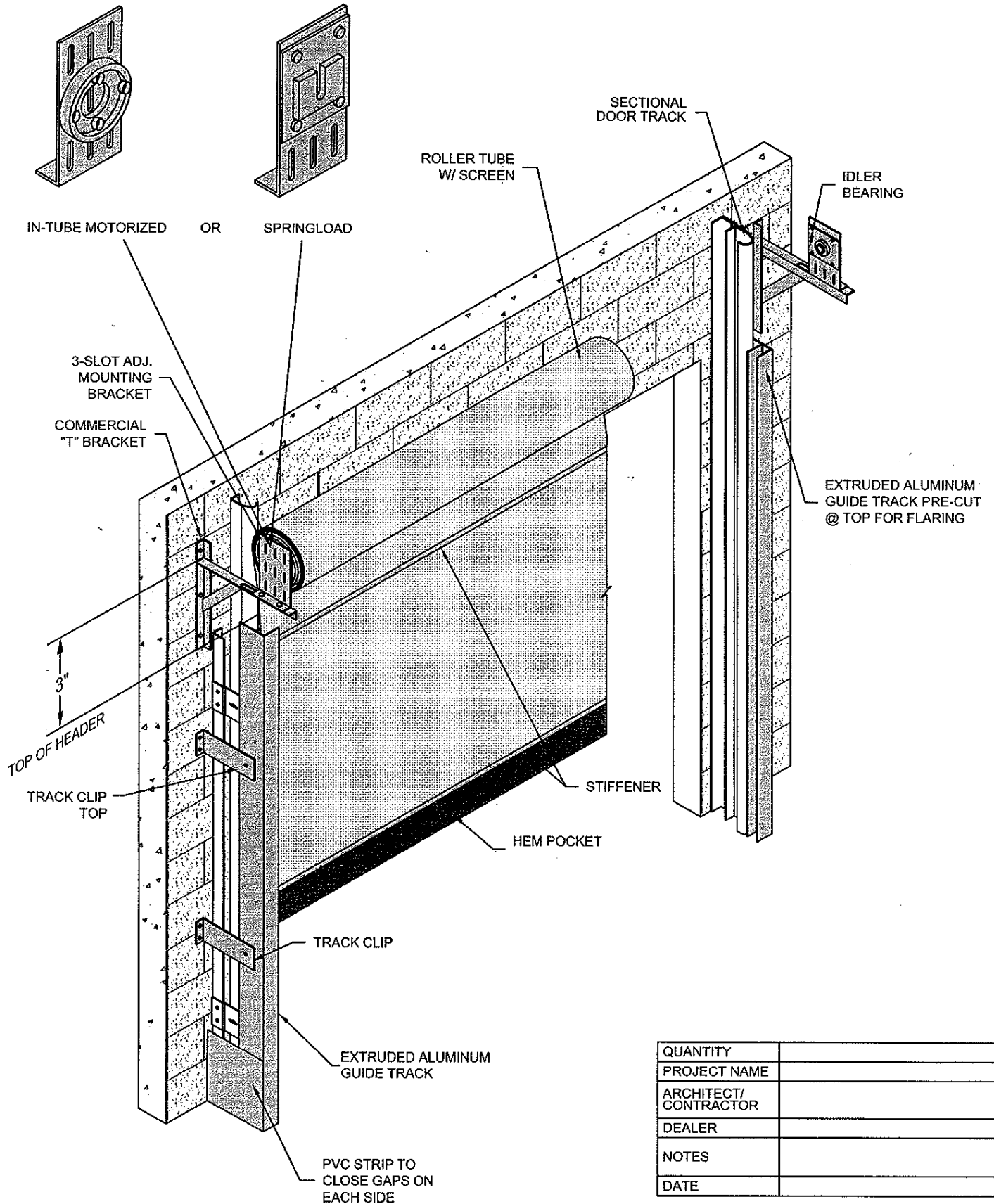
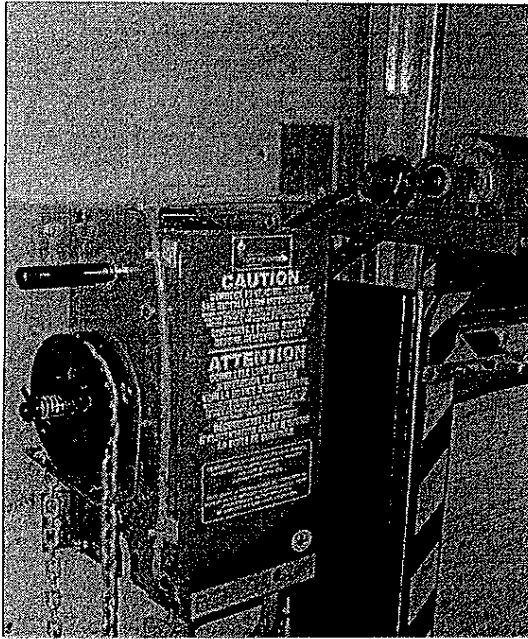


INSIDE STAND-OFF SPRINGLOAD OR IN-TUBE MOTORIZED MFG. BY FLEXBARRIER PRODUCTS, INC.

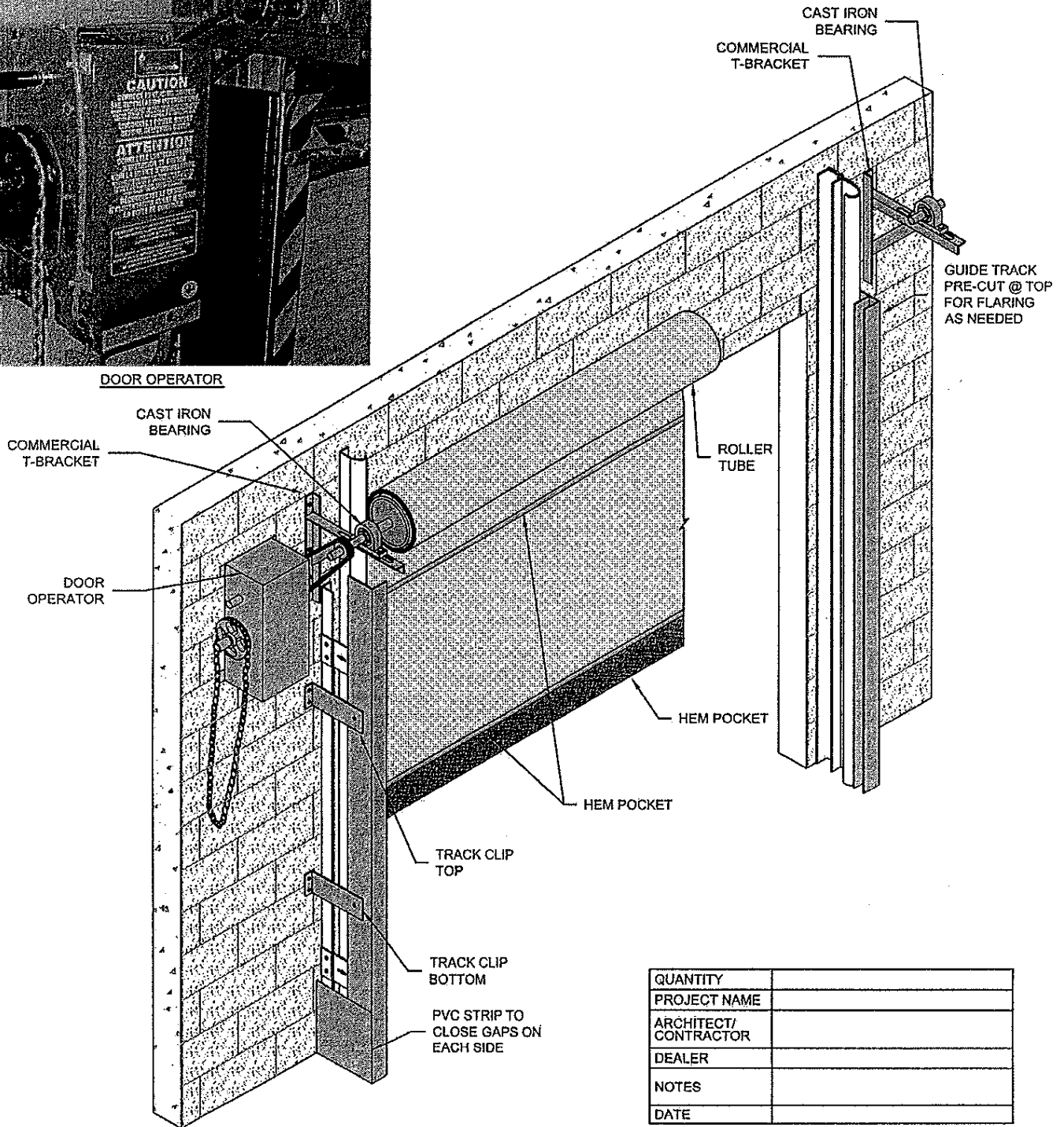


QUANTITY	
PROJECT NAME	
ARCHITECT/ CONTRACTOR	
DEALER	
NOTES	
DATE	

INSIDE STANDOFF/CONTINUOUS DUTY MOTORIZED MFG. BY FLEXBARRIER PRODUCTS, INC.

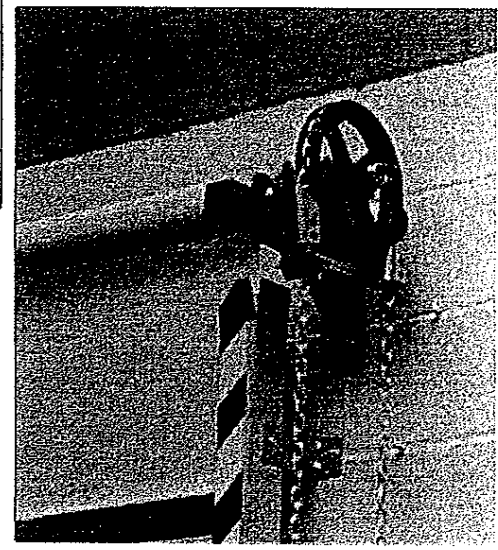
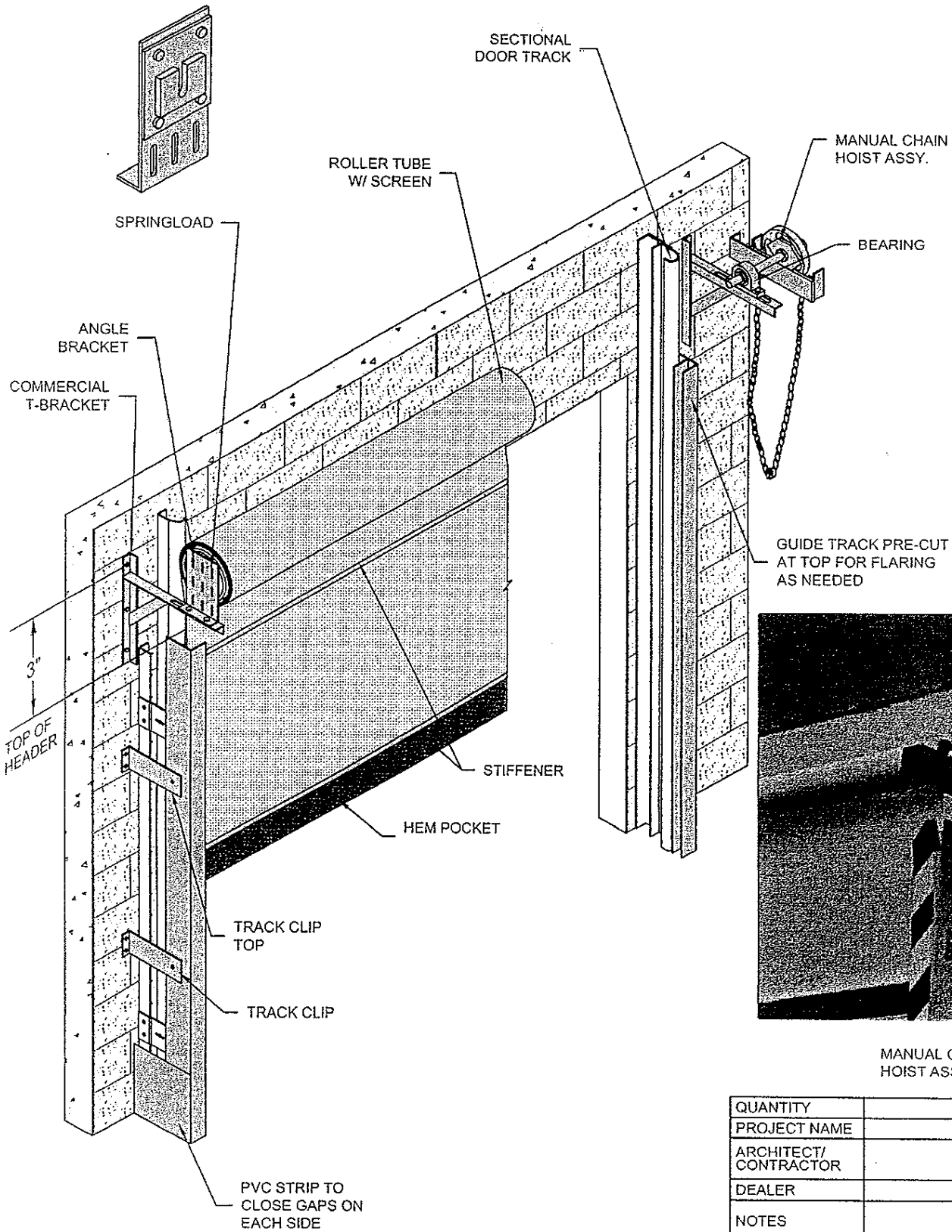


DOOR OPERATOR



QUANTITY	
PROJECT NAME	
ARCHITECT/ CONTRACTOR	
DEALER	
NOTES	
DATE	

INSIDE STAND-OFF MOUNT CHAIN HOIST ROLL UP MFG. BY FLEXBARRIER PRODUCTS, INC.

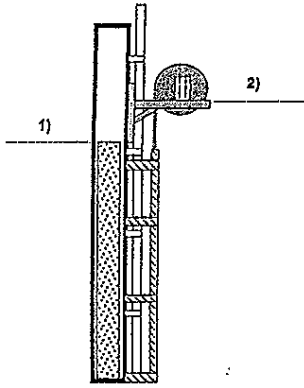


MANUAL CHAIN HOIST ASSY.

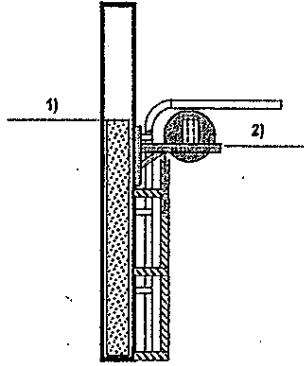
QUANTITY	
PROJECT NAME	
ARCHITECT/ CONTRACTOR	
DEALER	
NOTES	
DATE	

Inside Standoff mounting Examples
(Typical Door Configurations with FlexBarrier Product)

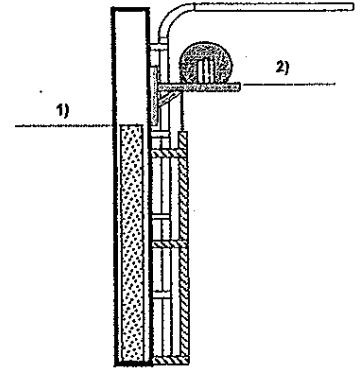
- 1) Top of door opening
- 2) Top of flat surface of "T" bracket



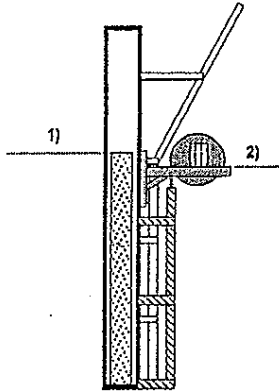
A) Full Vertical Lift



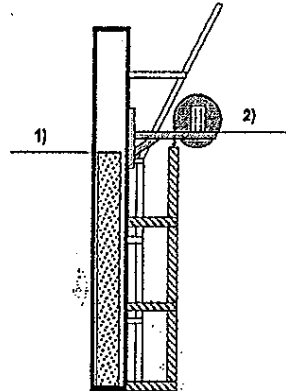
B) Std. Lift / Low Headroom



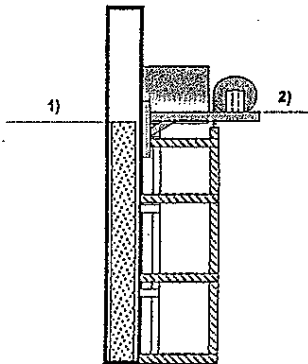
C) High Lift



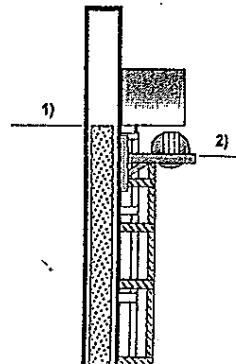
D) Vertical Lift Breakaway
 (Sits within door opening)



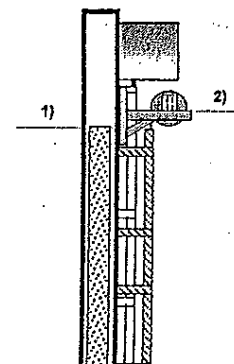
E) Vertical Lift Breakaway
 (Sits above door opening)



G) Coiling Steel
 (Sits in front of coiling steel box - above door opening)



H) Coiling Steel
 (Sits below coiling steel box - within door opening)



I) Coiling Steel
 (Sits below coiling steel box - above door opening)